



## Tools list - Slugs with hole



**Cutting-edge Solutions for the Packaging Industry**



Cutting-edge Solutions for the Packaging Industry  
**Flat slugs with hole**

Diameter (mm)	Hole (mm)	Article number	Minimal thickness (mm)	Maximal thickness (mm)
13,3	5,0	102	3,5	6,2
13,3	6	103	3,5	6,2
14,08	6	640	3,5	6,0
15,7	7	107	3,5	6,0
15,7	8	108	3,5	6,0
15,7	5	474	3,5	6,0
18,7	5	110	3,5	6,0
18,7	8	111	3,5	7,5
18,7	9	112	5,0	7,5
21,7	8	121	3,5	6,0
21,7	9	394	3,5	6,0
24,7	8	133	3,5	6,0
24,7	9	134	3,5	6,0
24,7	9,5	135	3,5	6,0
24,7	10,5	137	3,5	6,0
24,75	8	507	5,0	8,0
27,7	10,5	153	3,5	6,0
27,7	12	154	3,5	6,0
27,7	8	157	3,0	5,0
27,7	9	158	3,5	6,0
27,7	9,5	159	3,5	6,0
29,7	10,5	169	3,5	6,0
29,7	12	170	3,5	6,6
29,7	8	172	3,5	6,0
29,7	9	173	3,0	5,0
29,7	9,5	174	3,5	6,0
29,7	11	175	3,5	6,0
30,7	9	182	3,5	6,0
31,7	12	189	3,5	6,0
34,7	10	199	3,5	6,0
34,7	12	200	3,5	6,0
34,7	8	204	3,5	6,0



Cutting-edge Solutions for the Packaging Industry  
**Flat slugs with hole**

Diameter (mm)	Hole (mm)	Article number	Minimal thickness (mm)	Maximal thickness (mm)
34,7	9	205	3,0	5,2
34,7	16	480	3,0	5,0
37,7	11	214	3,5	6,0
37,7	5,7	545	5,0	8,0
39,7	12	224	3,0	6,0
39,7	8	225	3,5	6,0
39,7	9	226	3,0	5,0
39,7	24	421	3,5	6,2
39,7	16	549	3,5	6,0
49,5	12	473	3,5	6,0
49,7	12	246	3,5	6,0



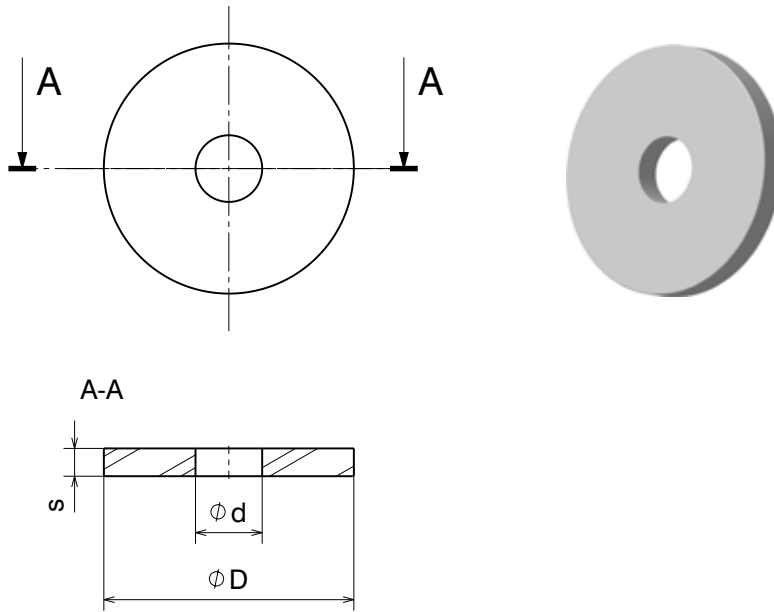
## Cutting-edge Solutions for the Packaging Industry

### Slugs with hole - domed

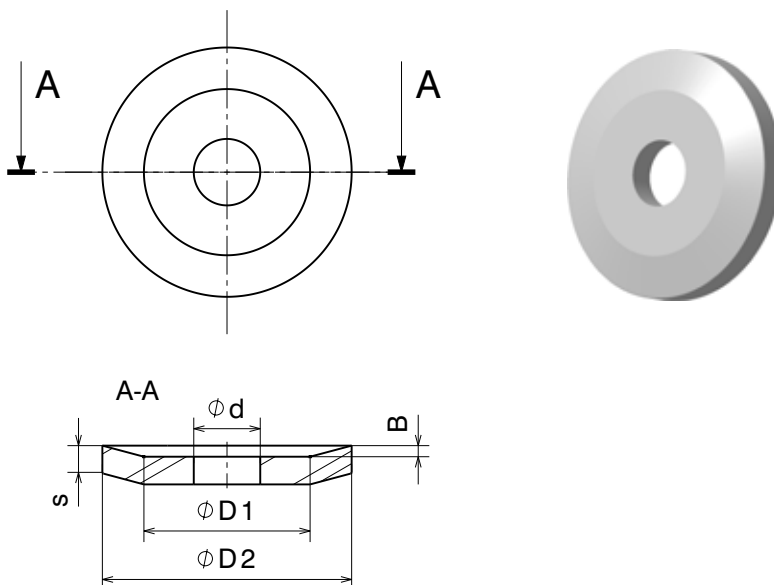
Diameter (mm)	Hole (mm)	Article number	Domed	Minimal thickness (mm)	Maximal thickness (mm)
13,3	5	404	B0,7-D/2	3,5	6,0
15,7	5	428	B1,6-D/2	3,5	6,0
18,7	8	578	B1,2-D/2	5,0	7,5
29,7	8	414	B1,4-D/2	3,5	6,0
29,8	10,5	427	B1,8-D/2	3,5	6,0
31,55	10	641	B1,5-D/2	3,0	6,0

Element	Value with tolerance	
Diameter		+ 0,00 mm
	from 10 – 40 mm	
		- 0,12 mm
	from 41 – 100 mm	+ 0,00 mm
Hole	to 10 mm	± 0.05 mm
	from 11 to 20 mm	± 0,07 mm
	over 20 mm	± 0,10 mm
Ekscentricity	e < 0.15 mm	
Domed		+ 0.30 mm
	Tolerance	- 0.00 mm
Thickness	to 2.8 mm	± 0,03 mm
	from 2.9 mm to 8.5 mm	± 0,05 mm
	over 8.5 mm	± 0,07 mm

## Flat slugs with hole



## Slugs with hole - domed





Sales manager  
Primož Visenjak  
E: [primoz.visenjak@talum.si](mailto:primoz.visenjak@talum.si)  
M: +386 (0)31 329 448

Product manager  
Mitja Šoba  
E: [mitja.soba@talum.si](mailto:mitja.soba@talum.si)  
M: +386 (0)40 742 825

