



Technical specifications - Discs with and without nose



Cookware Excellence Starts with Premium Aluminium Discs



Cookware Excellence Starts with Premium Aluminium Discs

Discs without nose

| Diameter (mm) | Minimal thickness (mm) | Maximal thickness (mm) | Article number |
|---------------|------------------------|------------------------|----------------|
| 100 | 2,0 | 6,0 | 288 |
| 105 | 3,5 | 8,0 | 645 |
| 110 | 3,0 | 7,0 | 291 |
| 115 | 3,0 | 6,0 | 293 |
| 115,7 | 9,5 | 11,0 | 531 |
| 118 | 3,0 | 7,0 | 294 |
| 118,9 | 4,0 | 7,0 | 399 |
| 120 | 2,0 | 6,0 | 296 |
| 122 | 3,0 | 7,0 | 298 |
| 124 | 3,0 | 5,0 | 301 |
| 125 | 4,0 | 7,0 | 605 |
| 128 | 3,5 | 6,0 | 611 |
| 130 | 2,0 | 7,0 | 305 |
| 132 | 3,0 | 7,0 | 306 |
| 135 | 2,0 | 6,0 | 307 |
| 138 | 4,0 | 6,0 | 409 |
| 140 | 2,0 | 7,0 | 308 |
| 142 | 3,0 | 6,0 | 309 |
| 143 | 4,0 | 6,0 | 310 |
| 143,9 | 4,0 | 8,0 | 397 |
| 145 | 4,0 | 6,0 | 311 |
| 146,5 | 4,0 | 6,0 | 313 |
| 148 | 4,0 | 6,0 | 314 |
| 150 | 2,0 | 6,0 | 621 |
| 155 | 3,0 | 7,0 | 317 |
| 156 | 3,0 | 6,0 | 319 |
| 158 | 4,0 | 7,0 | 408 |
| 160 | 3,0 | 6,0 | 321 |
| 161 | 4,0 | 6,0 | 322 |
| 165 | 2,0 | 6,0 | 325 |
| 168 | 4,0 | 7,0 | 326 |
| 170 | 2,0 | 6,0 | 327 |
| 175 | 2,0 | 6,0 | 329 |
| 177,3 | 6,0 | 13,0 | 593 |
| 178,9 | 4,0 | 8,0 | 398 |



Cookware Excellence Starts with Premium Aluminium Discs

Discs without nose

| Diameter (mm) | Minimal thickness (mm) | Maximal thickness (mm) | Article number |
|---------------|------------------------|------------------------|----------------|
| 179,85 | 3,5 | 6,0 | 615 |
| 180 | 2,0 | 7,0 | 334 |
| 181 | 3,0 | 7,0 | 335 |
| 183 | 4,0 | 7,0 | 336 |
| 185 | 3,5 | 6,0 | 338 |
| 190 | 3,0 | 6,0 | 343 |
| 194,6 | 4,0 | 6,0 | 376 |
| 195 | 4,0 | 7,0 | 346 |
| 197 | 4,0 | 8,0 | 347 |
| 200 | 2,0 | 6,0 | 348 |
| 201 | 4,0 | 7,0 | 349 |
| 203 | 4,0 | 7,0 | 350 |
| 204 | 4,0 | 8,0 | 353 |
| 205 | 2,0 | 4,0 | 354 |
| 210 | 4,0 | 8,0 | 355 |
| 215 | 2,0 | 6,0 | 357 |
| 217 | 4,0 | 8,0 | 406 |
| 219 | 4,0 | 6,0 | 600 |
| 220 | 4,0 | 6,0 | 597 |
| 221 | 4,0 | 8,0 | 598 |
| 223 | 2,0 | 5,0 | 601 |
| 225 | 4,0 | 8,0 | 595 |
| 230 | 4,0 | 7,0 | 542 |
| 240 | 4,0 | 7,0 | 606 |
| 245 | 4,0 | 7,0 | 544 |
| 250 | 4,0 | 7,0 | 541 |
| 260 | 3,0 | 5,0 | 607 |
| 270 | 3,0 | 5,0 | 609 |
| 275 | 3,0 | 5,0 | 592 |
| 280 | 3,0 | 5,0 | 608 |
| 285 | 3,0 | 5,0 | 610 |
| 295 | 4,0 | 6,0 | 614 |
| 320 | 3,0 | 7,0 | 642 |



Cookware Excellence Starts with Premium Aluminium Discs

Discs with nose

| Diameter (mm) | Minimal thickness (mm) | Maximal thickness (mm) | Article number | Shape |
|---------------|------------------------|------------------------|----------------|--------|
| 103 | 4,0 | 8,0 | 468 | 6R6R4 |
| 109,5 | 4,0 | 8,0 | 456 | 3R6R6 |
| 120 | 5,0 | 8,0 | 647 | 4R6R0 |
| 123 | 5,0 | 10 | 648 | 3R6R5 |
| 123 | 4,0 | 8,0 | 369 | 6R6R4 |
| 128 | 4,0 | 7,5 | 533 | B1,5 |
| 130 | 4,0 | 8,0 | 646 | 3R4R5 |
| 130 | 4,0 | 8,0 | 455 | 3R6R6 |
| 138 | 4,0 | 8,0 | 415 | 3R7R10 |
| 139 | 4,0 | 8,0 | 619 | 3R7R10 |
| 143 | 4,0 | 11,0 | 400 | 6R6R4 |
| 149 | 4,0 | 8,0 | 417 | 3R4R5 |
| 155 | 5,0 | 10,0 | 318 | 4R5R0 |
| 163 | 5,0 | 10 | 324 | 3R6R5 |
| 163 | 4,0 | 8,0 | 379 | 6R6R4 |
| 169 | 4,0 | 8,0 | 418 | 3R4R5 |
| 170 | 6,0 | 10,0 | 454 | 3R6R6 |
| 179 | 4,0 | 8,0 | 422 | 3R4R5 |
| 183 | 4,0 | 8,0 | 389 | 6R6R4 |
| 185 | 5,0 | 10,0 | 339 | 4R5R0 |
| 189 | 4,0 | 8,0 | 423 | 3R4R5 |
| 194 | 4,0 | 10,0 | 420 | 3R4R5 |
| 203 | 4,0 | 8,0 | 352 | 3R6R5 |
| 203 | 4,0 | 8,0 | 462 | 6R6R4 |
| 203,7 | 6,0 | 11,0 | 453 | 6R6R6 |
| 214,3 | 4,0 | 8,0 | 405 | 3R6R10 |
| 215 | 4,0 | 8,0 | 426 | 3R4R8 |
| 218 | 6,0 | 10,0 | 602 | 3R6R5 |
| 218 | 4,0 | 8,0 | 596 | 3R7R10 |
| 223 | 4,0 | 8,0 | 599 | 6R7R4 |

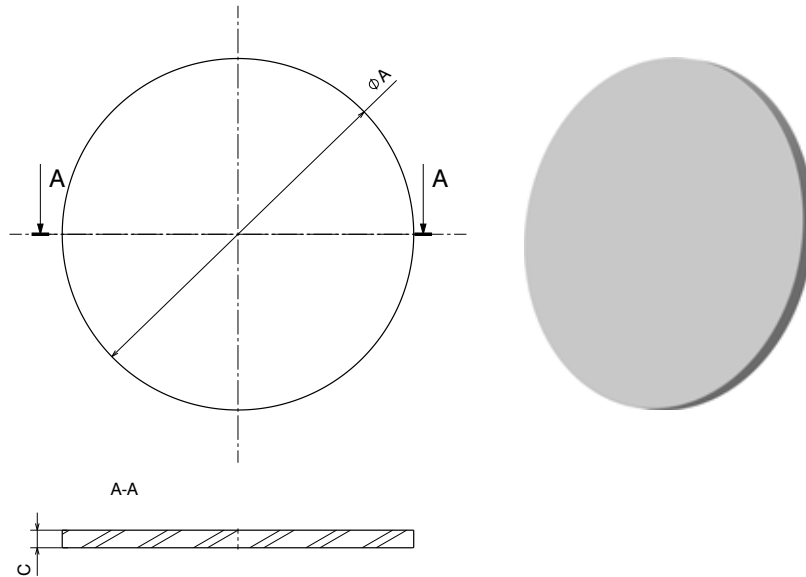


Cookware Excellence Starts with Premium Aluminium Discs

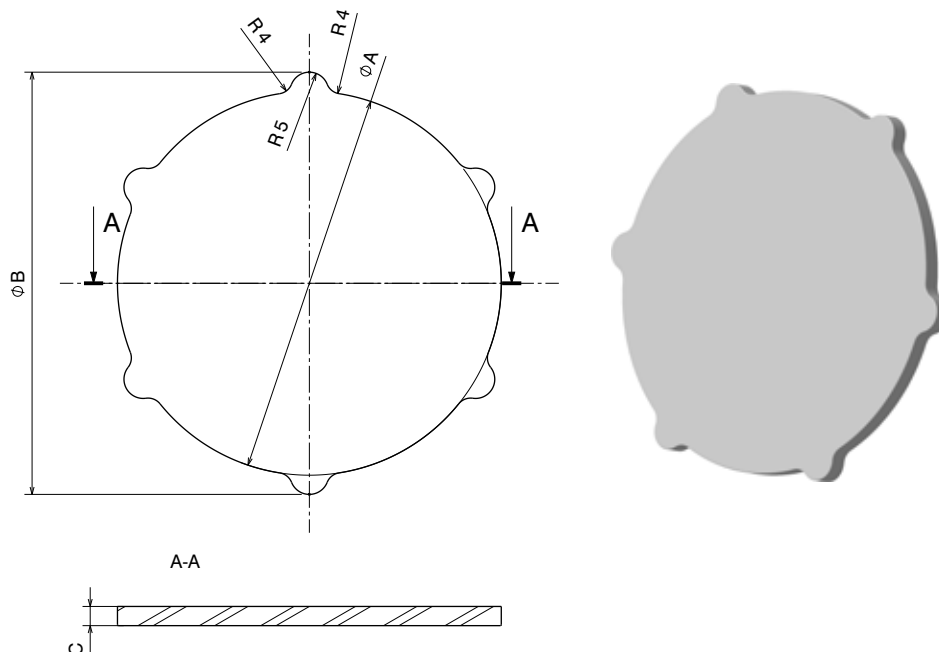
Discs with nose - Tolerances

| Element | Value with tolerance | |
|-------------------------|----------------------|-----------|
| Diameter | D > 100 ≤ 225 mm | ± 0.10 mm |
| | B > 100 ≤ 230 mm | ± 0.10 mm |
| Diameter across nose | <hr/> | |
| | D > 100 ≤ 225 mm | ± 0.10 mm |
| | > 2,0 ≤ 6,5 mm | + 0.05 mm |
| Thickness | > 6,6 ≤ 8,5 mm | ± 0.07 mm |
| | > 8,6 ≤ 10,5 mm | ± 0,10 mm |

Discs without nose



Discs with nose





Sales manager
Primož Visenjak
E: primoz.visenjak@talum.si
M: +386 (0)31 329 448

Product manager
Mitja Šoba
E: mitja.soba@talum.si
M: +386 (0)40 742 825

